



Lifting column SK

Art. no.: 910.xxxxx

The lifting column **SK** consists of two colorless anodized aluminum profiles that are guided with plastic glides. The inner profile is moved by an internal spindle drive.

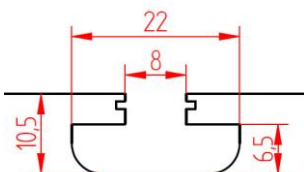
Up to 4 spindle lifting columns can be connected to a control box and operated synchronously.

Use

The system **SK** is used in assembly tables, in assembly systems, in office desks and in general furniture and mechanical engineering.

The assembly T-slots (width 8 mm) on all 4 sides allow trusses, clipboards, attachments and superstructures to be added along the entire length of the leg.

The lifting column **SK** can be combined with lifting columns **SL** and **SM**.



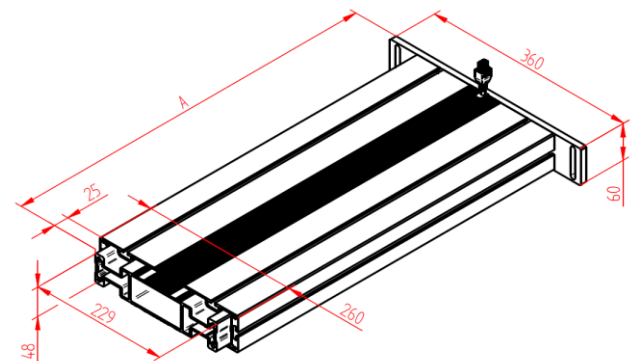
T-slot-nuts:
142.00217 (with thread M6)
142.00218 (with thread M8)

Technical specifications

Max. Load for 1 lifting column	2,000 N / 3,000 N
Max. Load for 2 lifting columns	4,000 N / 6,000 N
Max. Load for 3 lifting columns	4,000 N / 6,000 N
Max. Load for 4 lifting columns	10,000 N

Max. static bending moment	$M_{bx_{stat}} = 1'200 \text{ Nm}$
	$M_{by_{stat}} = 450 \text{ Nm}$
Max. Dyn. Bending moment	$M_{bx_{dyn}} = 550 \text{ Nm}$
	$M_{by_{dyn}} = 200 \text{ Nm}$

Lifting speeds	6-8 or 12 mm / s
Stroke length	300 or 400 mm
Installation length A	530 or 630 mm



Download CAD data from www.ergoswiss.com