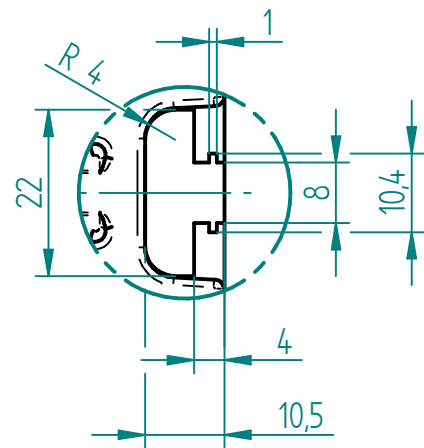
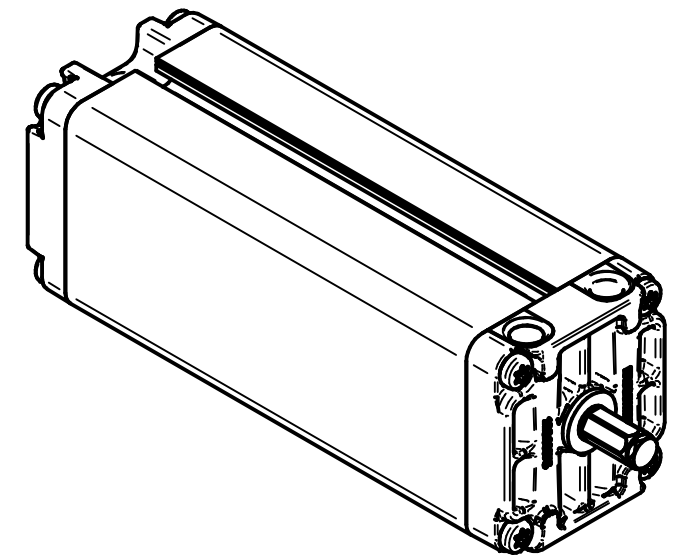
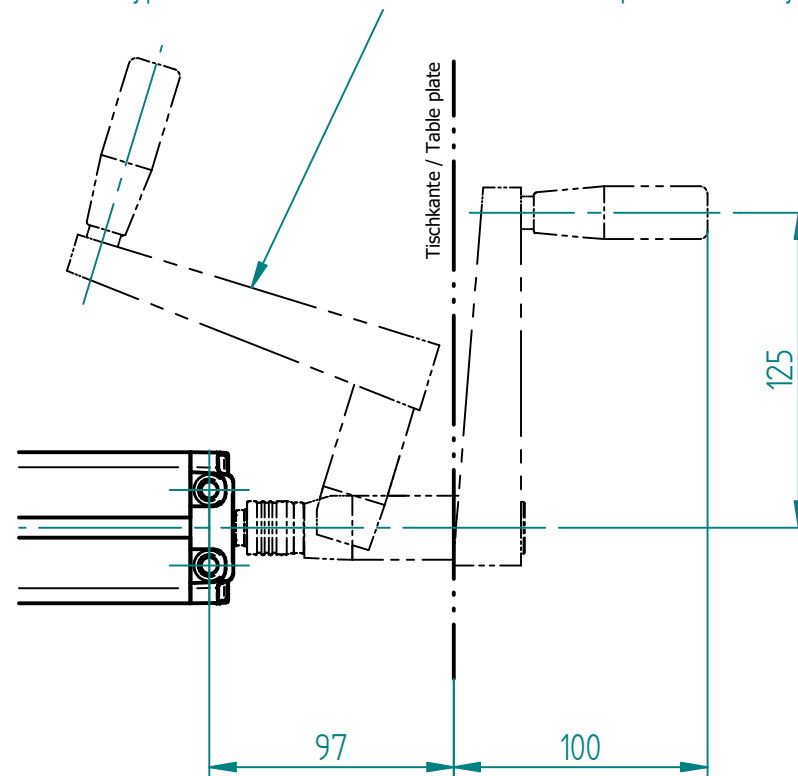


Nutengeometrie
T-slot geometry



Handkurbel an Pumpe befestigt
Hand crank mounted onto Pump

Handkurbel Typ H (113.00105) nicht im Lieferumfang enthalten!
Hand crank Type H (113.00105) is not included in scope of delivery!



| Pumpe / Pump | A | B | Artikelnr. / Article no. |
|--------------|-------|-------|--------------------------|
| PF 3418 H | 465.5 | 480.5 | 103.30071 |
| PF 3430 H | 707.5 | 722.5 | 103.30072 |
| PF 3440 H | 908.5 | 923.5 | 103.30073 |

| Index | Datum / Date | Name | Änderungsmittellung / notification of change | |
|----------------------------------|--------------|-----------------|----------------------------------------------|---------------------------------|
| GEZEICHNET / DRAWN | 31.05.2024 | thsp | GEWICHT / WEIGHT | BEZEICHNUNG / ASSEMBLY NAME |
| GEPRÜFT / CHECKED | 31.05.2024 | tiho | --- | Pumpe PF 34xx H |
| | | MABSTAB / SCALE | 1:2 | Pump PF 34xx H |
| ERGO SWISS table lift systems | | | ZEICHNUNGSNUMMER / DRAWING NUMBER | ARTIKELNUMMER / ASSEMBLY NUMBER |
| | | | u-103.303 | 103.3xxxx |
| | | | INDEX | FORMAT |
| | | | 00 | A3 |