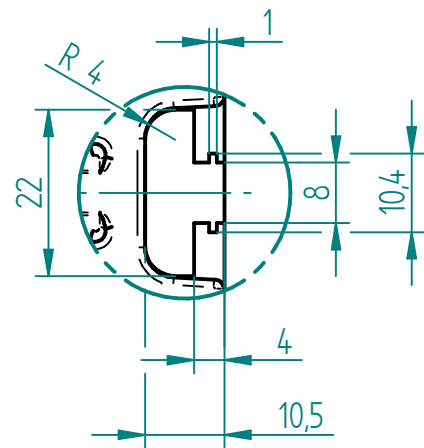
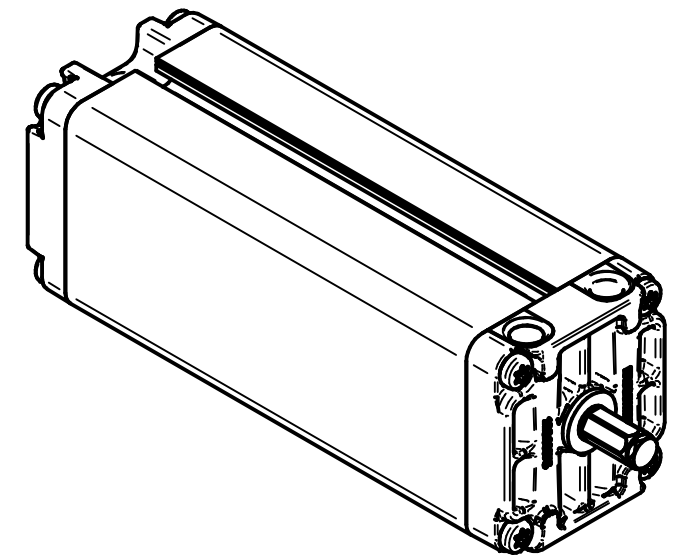
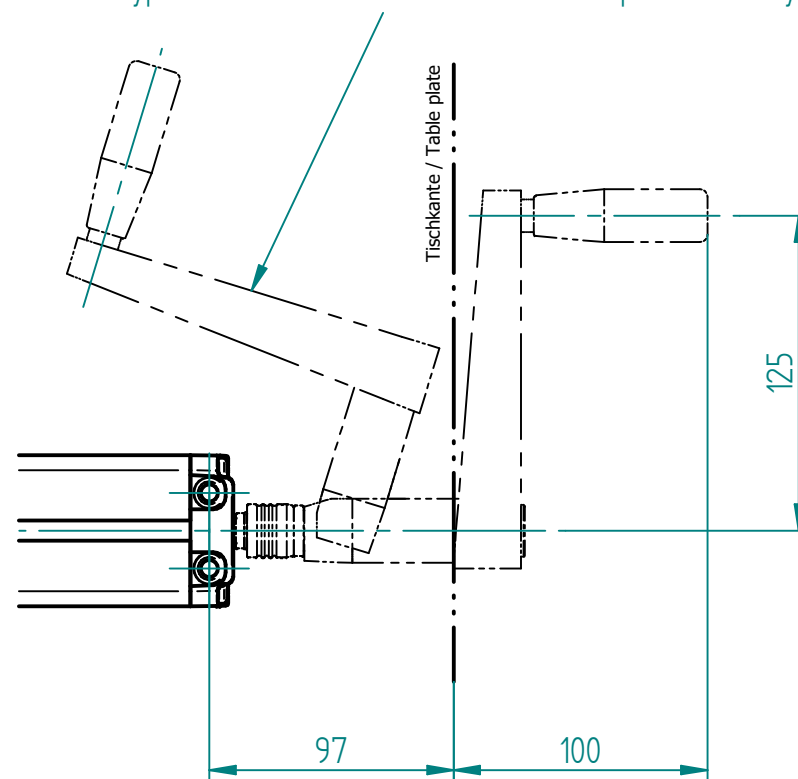


Nutengeometrie  
T-slot geometry



Handkurbel an Pumpe befestigt  
Hand crank mounted onto Pump

Handkurbel Typ H (113.00105) nicht im Lieferumfang enthalten!  
Hand crank Type H (113.00105) is not included in scope of delivery!



Pumpe / Pump	A	B	Artikelnr. / Article no.
PF 4815 H	283.5	298.5	103.30031
PF 4820 H	343.5	358.5	103.30032
PF 4830 H	465.5	480.5	103.30033
PF 4840 H	585.5	600.5	103.30034
PF 4850 H	707.5	722.5	103.30035
PF 4860 H	827.5	842.5	103.30036
PF 4866 H	908.5	923.5	103.30038
PF 4870 H	954.5	969.5	103.30037

Index	Datum / Date	Name	Änderungsmittteilung / notification of change	
	DATUM / DATE	NAME	GEWICHT / WEIGHT	BEZEICHNUNG / ASSEMBLY NAME
GEZEICHNET / DRAWN	30.05.2024	thsp	---	Pumpe PF 48xx H
GEPRÜFT / CHECKED	30.05.2024	tiho	MABSTAB / SCALE 1:2	Pump PF 48xx H
ERGO SWISS table lift systems		ZEICHNUNGSNUMMER / DRAWING NUMBER	ARTIKELNUMMER / ASSEMBLY NUMBER	INDEX
		u-103.302	103.3xxxx	00
				FORMAT
				A3