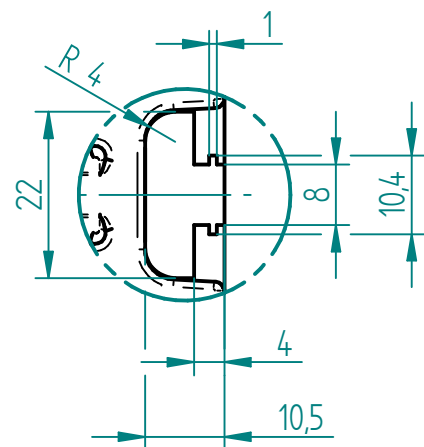
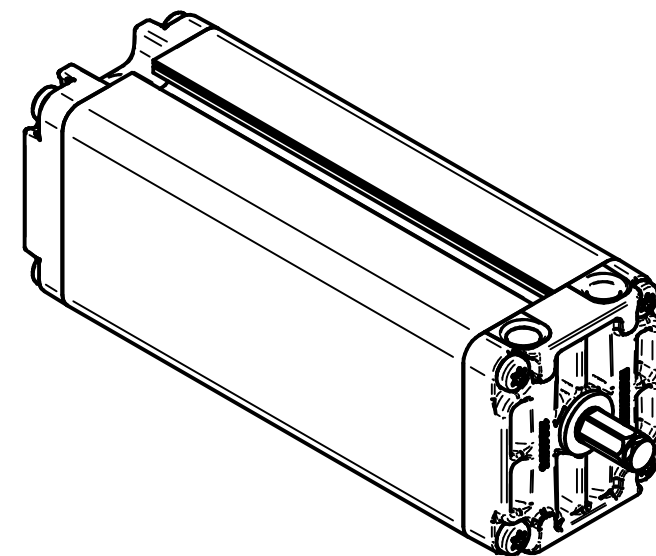
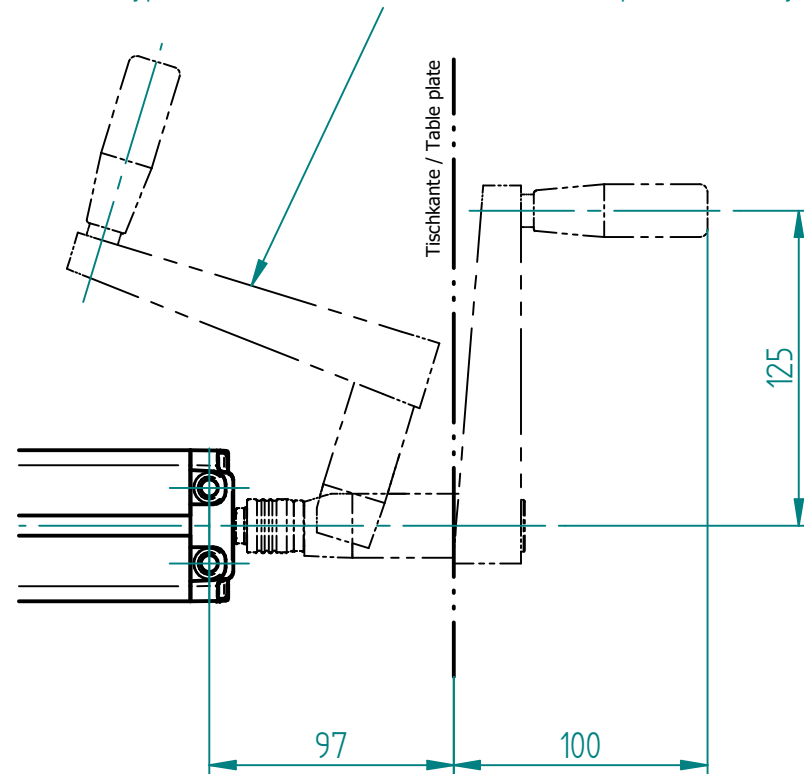


Nutengeometrie  
T-slot geometry



Handkurbel an Pumpe befestigt  
Hand crank mounted onto Pump

Handkurbel Typ H (113.00105) nicht im Lieferumfang enthalten!  
Hand crank Type H (113.00105) is not included in scope of delivery!



Pumpe / Pump	A	B	Artikelnr. / Article no.
PF 3815 H	283.5	298.5	103.30021
PF 3820 H	343.5	358.5	103.30022
PF 3830 H	465.5	480.5	103.30023
PF 3840 H	585.5	600.5	103.30024
PF 3850 H	707.5	722.5	103.30025
PF 3860 H	827.5	842.5	103.30026
PF 3866 H	908.5	923.5	103.30028
PF 3870 H	954.5	969.5	103.30027

Index	Datum / Date	Name	Änderungsmittellung / notification of change
GEZEICHNET / DRAWN	31.05.2024	thsp	GEWICHT / WEIGHT ---
GEPRÜFT / CHECKED	31.05.2024	tiho	BEZEICHNUNG / ASSEMBLY NAME Pumpe PF 38xx H
ERGO SWISS table lift systems		MAßSTAB / SCALE 1:2	ARTIKELNUMMER / ASSEMBLY NUMBER 103.3xxxx
u-103.301		INDEX 00	FORMAT A3