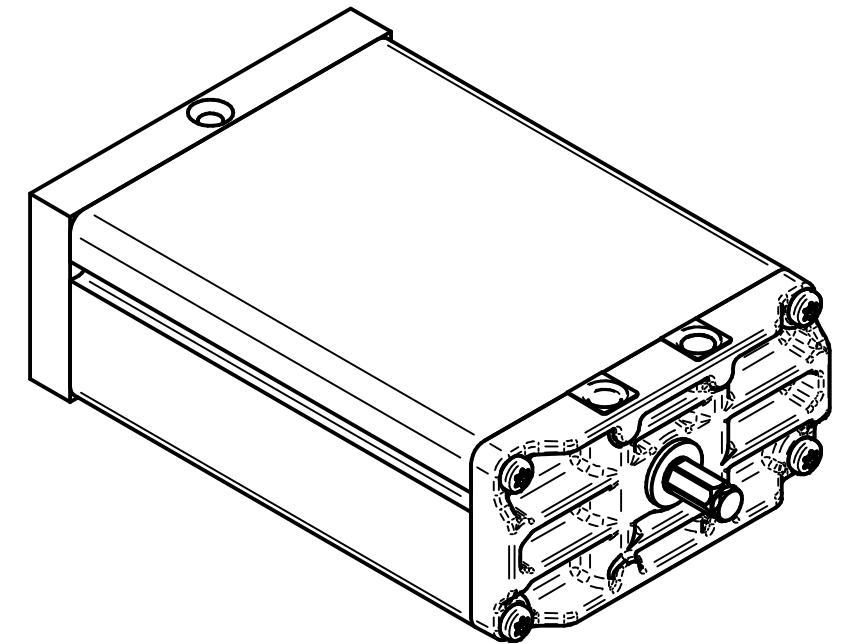
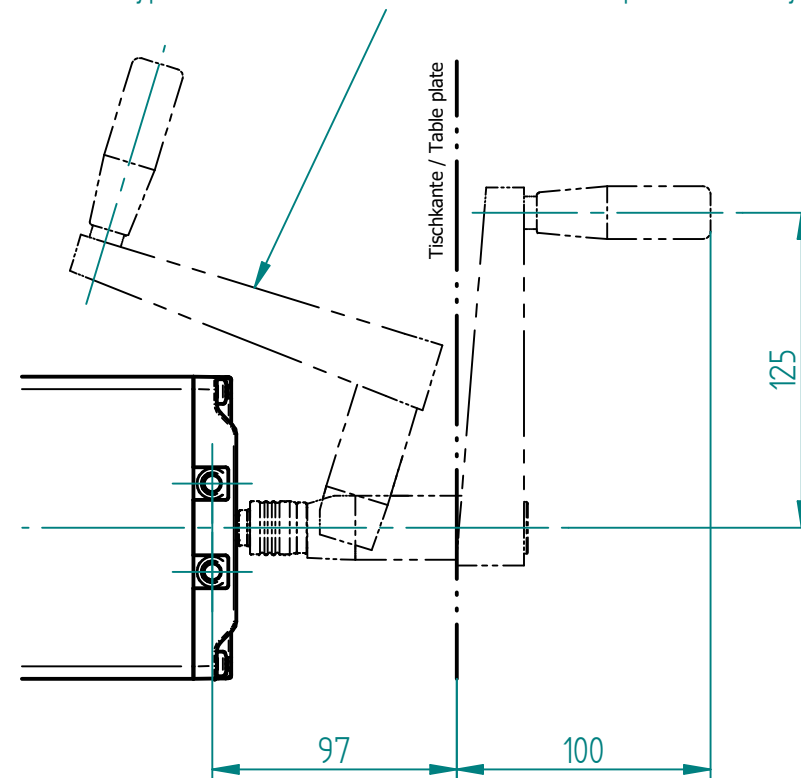


### Handkurbel an Pumpe befestigt Hand crank mounted onto Pump

Handkurbel Typ H (113.00105) nicht im Lieferumfang enthalten!  
Hand crank Type H (113.00105) is not included in scope of delivery!



| Pumpe / Pump | A     | B     | Artikelnr. / Article no. |
|--------------|-------|-------|--------------------------|
| PB 8815 H    | 283.5 | 298.5 | 102.30201                |
| PB 8820 H    | 343.5 | 358.5 | 102.30202                |
| PB 8830 H    | 465.5 | 480.5 | 102.30211                |
| PB 8840 H    | 585.5 | 600.5 | 102.30215                |
| PB 8850 H    | 707.5 | 722.5 | 102.30219                |
| PB 8860 H    | 827.5 | 842.5 | 102.30209                |
| PB 8866 H    | 908.5 | 923.5 | 102.30208                |
| PB 8870 H    | 954.5 | 969.5 | 102.30217                |

| Index                            | Datum / Date | Name                              | Änderungsmittellung / notification of change |                             |
|----------------------------------|--------------|-----------------------------------|--|-----------------------------|
|                                  | DATUM / DATE | NAME                              | GEWICHT / WEIGHT                             | BEZEICHNUNG / ASSEMBLY NAME |
| GEZEICHNET / DRAWN               | 31.05.2024   | thsp                              | ---  | Pumpe PB 88xx H             |
| GEPRÜFT / CHECKED                | 31.05.2024   | tiho                              | MABSTAB / SCALE 1:2                          | Pump PB 88xx H              |
| ERGO SWISS<br>table lift systems |              | ZEICHNUNGSNUMMER / DRAWING NUMBER | ARTIKELNUMMER / ASSEMBLY NUMBER              | INDEX                       |
|                                  |              | u-102.308                         | 102.3xxxx                                    | 00                          |
|                                  |              |                                   |  | FORMAT                      |
|                                  |              |                                   |  | A3                          |